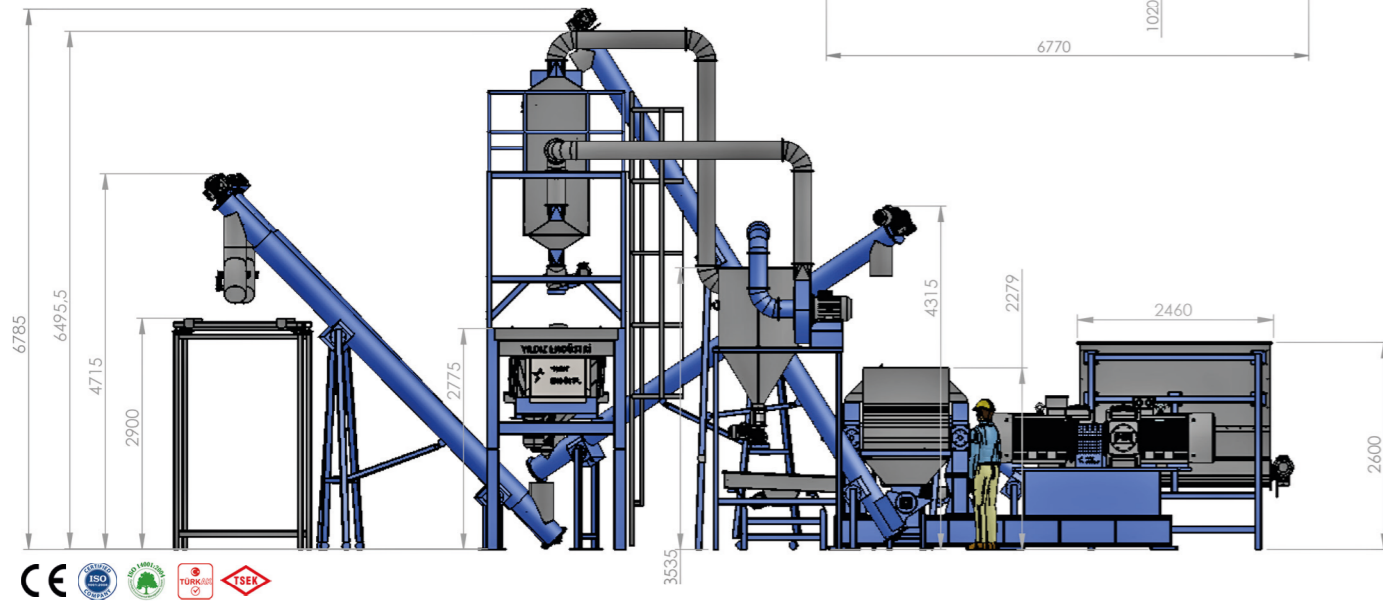
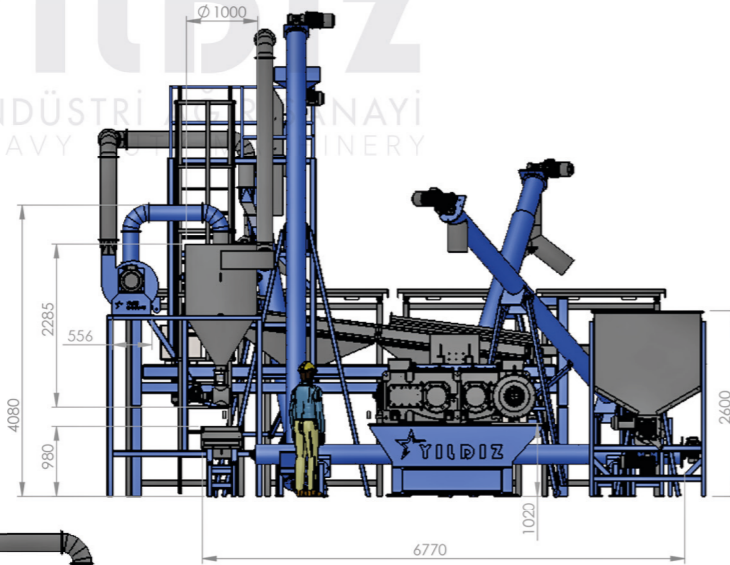


YILDIZ
RECYCLING
SYSTEMS



YILDIZ
RECYCLING
SYSTEMS

YILDIZ
ENDÜSTRİ AĞIR SANAYİ
HEAVY DUTY MACHINERY

Sales & Marketing By
KATANA
MAKİNA ENERJİ SAN. ve TİC.LTD.ŞTİ.

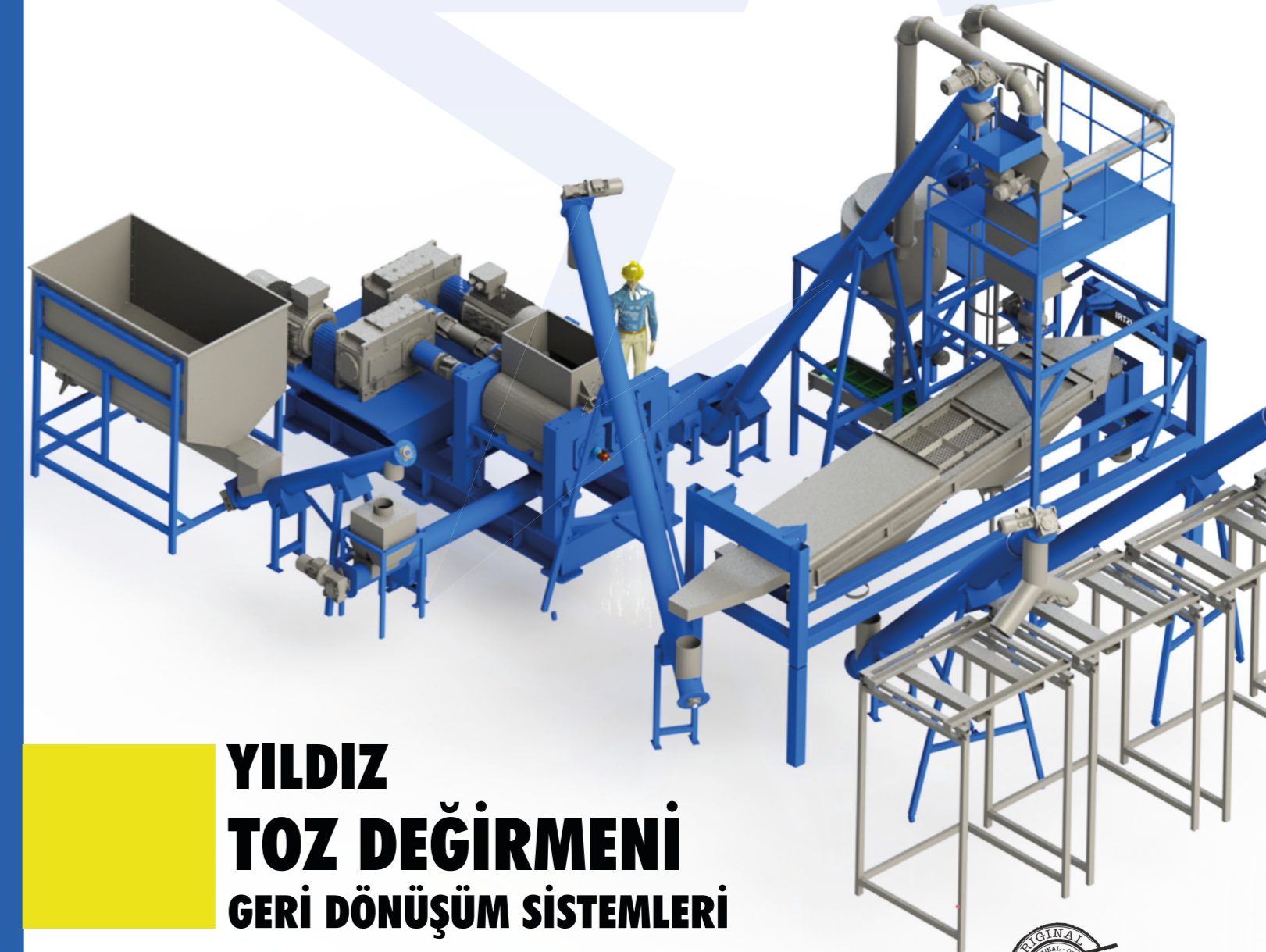
YILDIZ ENDÜSTRİ SAN. ve TİC.LTD.ŞTİ.

Tel. : +90 (232) 854 80 02 | +90 (232) 854 80 02 - +90 534 231 78 01
İTOB Organize Sanayi Bölgesi, 10025 Sokak No:15 Menderes - İZMİR / TURKEY
info@yildizendustri.com.tr sales@yildizendustri.com.tr | info@katanamakina.com.tr



YILDIZ
RECYCLE
SYSTEMS

YILDIZ
ENDÜSTRİ AĞIR SANAYİ
HEAVY DUTY MACHINERY



**YILDIZ
TOZ DEĞİRMENİ
GERİ DÖNÜŞÜM SİSTEMLERİ**

YILDIZ POWDER MILL
RECYCLE SYSTEMS



www.yildizendustri.com.tr

RECYCLING SYSTEM AND EQUIPMENT



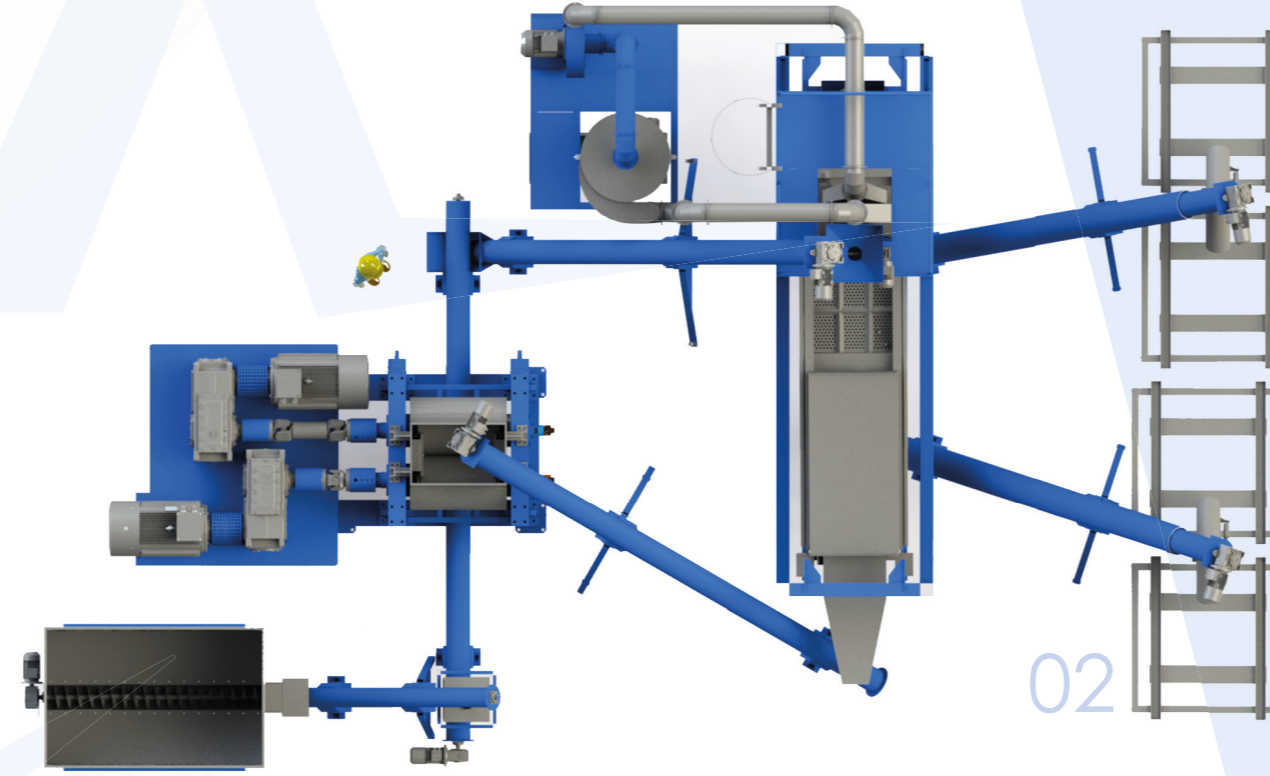
YILDIZ, TOZ DEĞİRMENİ

Yıldız Toz Değirmeni, otomobil lastiği, kamyon lastiği, OTR lastiği, maden kamyonu lastiği, tarım lastiği vb. her türlü lastik kaynaklı kauçuğun toz üretimini için kullanılabilen komple ağır hizmet makine sistemidir. Değirmen sistemi çok sağlam bir yapıya sahip olup, iki güçlü elektrik motoru ile sorunsuz üretim sağlar.

YILDIZ POWDER MILL

The Yıldız Powder Mill is the complete heavy duty machine system, which can be used for powder production of rubber originating from any type of tyre, such as car tyres, truck tyres, OTR tyres, mining truck tyres, agricultural tyres, etc. Mill system has very robust construction ensures smooth production with two powerful electrical motors.

YILDIZ, TOZ DEĞİRMENİ TESİS HATTI
YILDIZ, POWDER MILL FACILITY LINE



- 1 Besleme Helezonu 01 – 3 kw
- 2 Besleme Helezonu 02 (Drum Magnet) – 2.2 kw
- 3 Tambur Miknatis – 0.75 kw
- 4 Besleme Helezonu03 (Ana Hat) – 3 kw
- 5 Besleme Helezonu 04 (Zigzag) – 3 kw
- 6 Zigzag Hava Kilidi Motoru 01 – 1.1 kw
- 7 Salyangoz Fan – 11 kw
- 8 Siklon Hava Kilidi Motoru – 1.1 kw
- 9 Sarsak Vibra Motor – 0.37 kw
- 10Zigzag Hava Kilidi Motoru 02 - 1.1 kw
- 11Büyük Sarsak Elek – 5.5 kw
- 12Besleme Helezonu 05 (Big Bag 01-02) – 5.5 kw
- 13Klepe 01 Pnömatik Silindir (BigBag 01- 02)
- 14BigBag 01 (Load Cell)
- 15BigBag 02 (Load Cell)
- 16Besleme Helezonu 06 (BigBag 03- 42) – 3 kw
- 17Klepe 02 Pnömatik Silindir (BigBag 03- 04)
- 18BigBag 03 (Load Cell)
- 19BigBag 04 (Load Cell)
- 20Besleme Helezonu 06 (Grinding Mill) – 3kw
- 21Değirmen Rotor 01 – 132 kw
- 22DeğirmenRotor 02 – 132 kw

- 1 Feeding spiral conveyor 01 – 3 kw
- 2 Feeding spiral conveyor 02 (Drum Magnet) – 2.2 kw
- 3 Drum Magnet – 0.75 kw
- 4 Feeding spiral conveyor 03 (Main Line) – 3 kw
- 5 Feeding spiral conveyor 04 (Zigzag) – 3 kw
- 6 Zigzag Air Lock Motor 01 – 1.1 kw
- 7 Snail Fan – 11 kw
- 8 Cyclone Air Lock Motor – 1.1 kw
- 9 Small Shaker Sieve and Vibro Motor – 0.37 kw
- 10Zigzag Air Lock Motor 02 - 1.1 kw
- 11Big Vibrating Screen – 5.5 kw
- 12Feeding spiral conveyor 05 (Big Bag 01-02) – 3 kw
- 13Valve 01 Pneumatic Cylinder (BigBag 01- 02)
- 14BigBag 01 (Load Cell)
- 15BigBag 02 (Load Cell)
- 16Feeding spiral conveyor 06 (BigBag 03- 42) – 3 kw
- 17Valve 02 Pneumatic Cylinder (BigBag 03- 04)
- 18BigBag 03 (Load Cell)
- 19BigBag 04 (Load Cell)
- 20Feeding spiral conveyor 06 (Grinding Mill) – 3kw
- 21Grinding Mill Rotor 01 – 132 kw
- 22Grinding Mill Rotor 02 – 132 kw

YILDIZ TOZ DEĞİRMENİ
YILDIZ POWDER MILL



YILDIZ
RECYCLING
SYSTEMS



01

02

03

04

